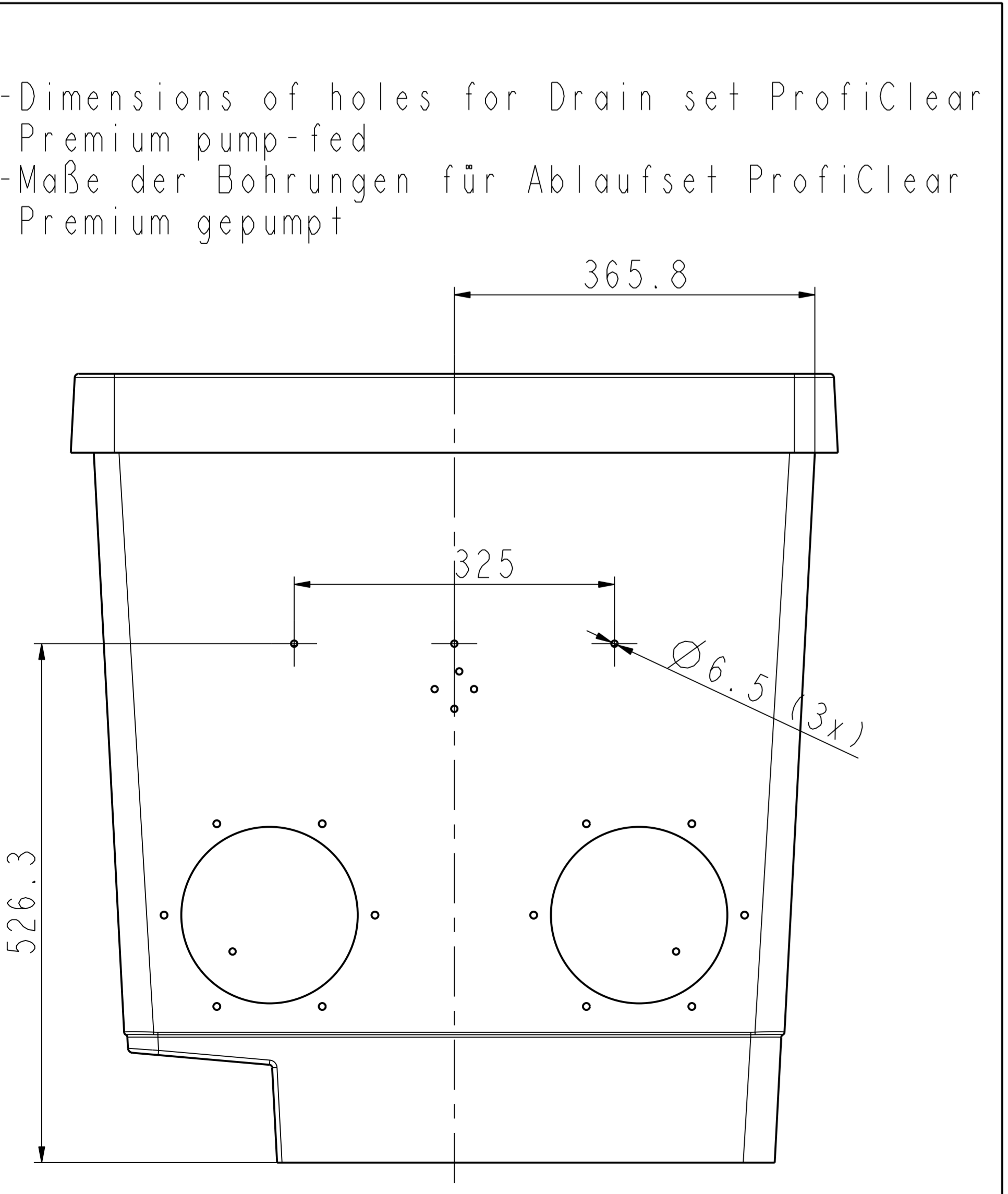
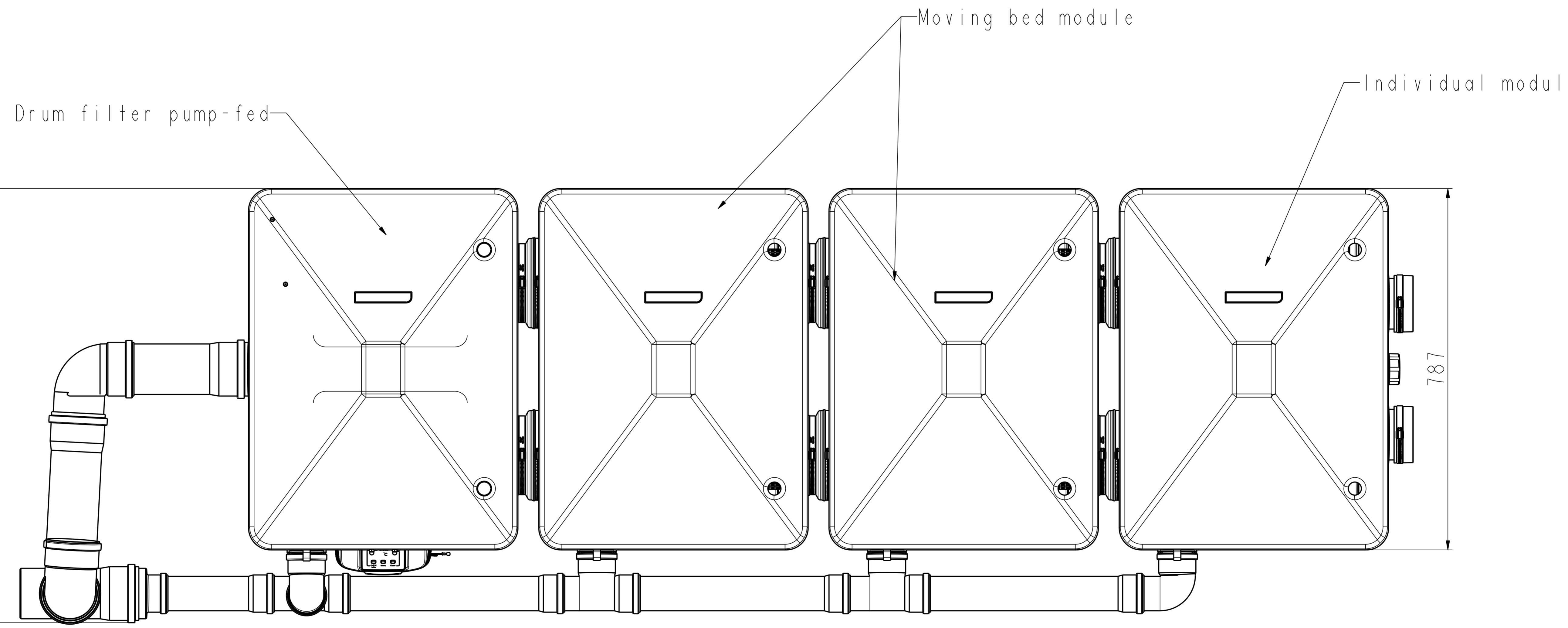
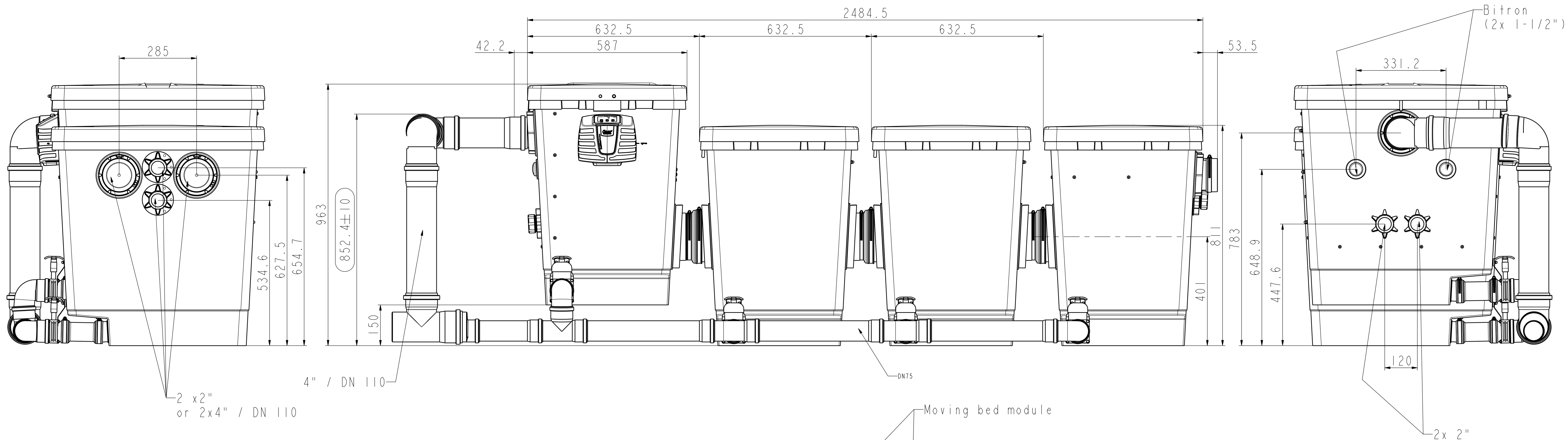


Gewicht: 372829555403 g Volumen: 18392284 mm ³		Schutznorm DIN EN10101-1018 Copyright ACCORDING TO DIN EN10101-1018		Entwicklung / Development	
QASE GmbH Techlerberger Str. 16 48471 Rösstel Tel.: +49(0)25454100-0		AL System Hörschen werk		Maßstab: 1:5 Rechtsfeld	
		projektor		conform to RoHS	
		Datum: 07.06.2011		P. Müller	
		P104100 ProfiClear Premium Gravity			
		P104100 ProfiClear Premium gravity			
		SAP-Dokumentnummer:			
		E			
		PROENGINEER Format: A0			
		Blatt 1			
		Z 1			



-Dimensions of holes for Drain set ProfiClear Premium pump-fed
 -Maße der Bohrungen für Ablaufset ProfiClear Premium gepumpt

Weight: 3728/3955/5403 gr	Customer according to DIN EN ISO 9001	Entwicklung / Development
Order no.: 82912/2784	General tolerance to standard	Scale: 1:5
QASE GmbH	Projection: P1st	Material: conform to RoHS
Tecklenburger Str. 16 48471 Hörstel, Germany Tel.: +49(0)52454100-0	Date: 07.06.2011	Name: P. Möllers
	Check:	Norm: P104100 ProfiClear Premium Gravity
	Water/effluent no.:	SAP Document number (1001):
	Version: E	Page: 2
	PROENGINEER	Format: A0